

# Opto Engine LLC

## Data sheet

Rev. 0912

PGL-III-C-473/5~50mW

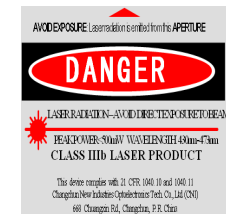
### PORTABLE LASER AT 473nm


PGL-III-473 is the first blue laser pointer with FDA in the world. It is novel, unique and amazing.



### SPECIFICATIONS

Wavelength (nm)	473±1
Output power (mW)	>5, 10, 20, 30, ..., 50
Transverse mode	TEM <sub>00</sub>
Operating mode	CW
Beam divergence, full angle (mrad)	<1.5
Beam diameter at the aperture (mm)	~1.5
Switch	Push button
Surface color	Black
Range in darkness (m)	1000
Power supply	1×“No. 18650” Li batteries
Operating lifetime (hours)	3000~5000
Warranty	6 months
Remark	LED indicator, remote connector and key switch are available.



PGL-III-C-473	Dimensions	Accessory
 <p>Φ38×220(L) mm<sup>3</sup>, 0.3 kg</p>	