

Opto Engine LLC

Data sheet

Rev. 0912

PGL-III-C-593.5/2~20mW

PORTABLE ORANGE LASER AT 593.5nm

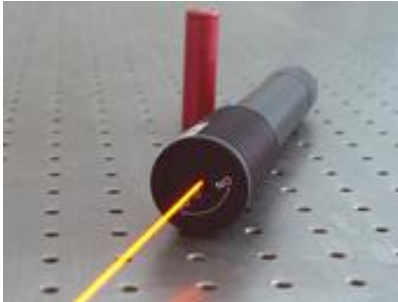
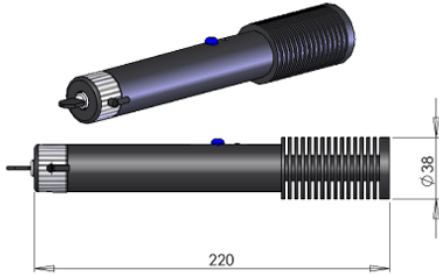

PGL-III-C-593.5 is the first orange laser pointer with FDA in the world. It is novel, unique and amazing.



SPECIFICATIONS

Wavelength (nm)	593.5±1
Output power (mW)	>2, 3, 4 ... , 20
Transverse mode	TEM ₀₀
Operating mode	CW
Beam divergence, full angle (mrad)	<1.5
Beam diameter at the aperture (mm)	~1.5
Switch	Push button
Surface color	Black
Range in darkness (m)	1000~10000
Power supply	1×“No. 18650” Li batteries
Operating lifetime (hours)	5000~10000
Warranty	6 months
Remark	LED indicator, remote connector and key switch are available.



PGL-III-C-593.5	Dimensions	Accessory
 <p>Φ38×220(L) mm³, 0.3 kg</p>		 <p>1×“No. 18650” Li batteries and charger</p>